

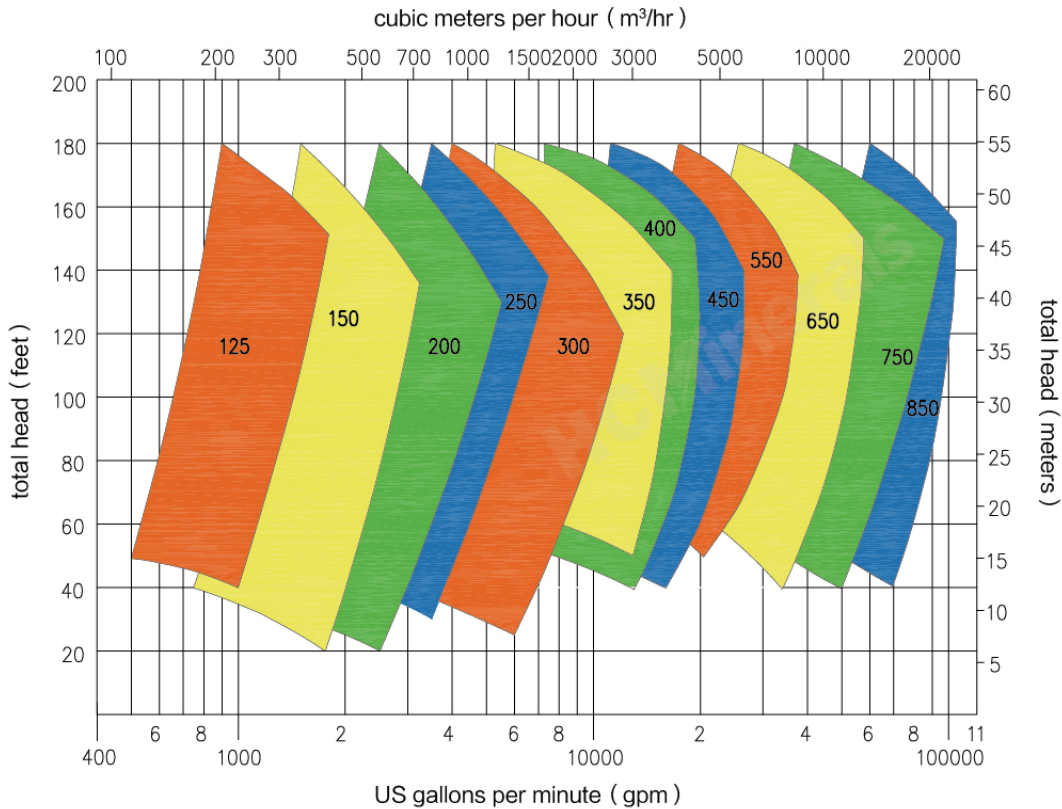


MZ Series Slurry Pump

HCMinerals

HCMinerals

MZ Pump Selection Chart



quick selection chart approximates clear water performance and to be used for preliminary selection only

MZ Pump Dimensions Table(mm)

Fixed Bearing Components

Pump Model	BA	A*	B*	C	D	E	G	H	J*	K	L	M	N	U	Key	W
125M80-MZH	M80	1240	206	240	205	220	378	412	385	384	380	620	389	80	22x14	64
150M80-MZU	M80	1283	243	351	205	220	533	569	532	554	380	620	190	80	22x14	400
200M100-MZR/U	M100	1670	335	485	255	290	700	728	745	740	453	880	547	100	28x16	460
250M100-MZR/U	M100	1742	390	560	255	290	824	868	850	847	453	880	563	100	28x16	350
300M120-MZR/U	M120	2142	381	629	310	316	940	1020	879	980	699	1048	651	120	32x18	870
350M120-MZR/U	M120	2168	404	697	310	316	1030	1123	970	1077	699	1048	655	120	32x18	390
400M150-MZR/U	M150	2541	510	801	405	344	1148	1281	1156	1199	770	920	687	150	36x20	450
450M150-MZR/U	M150	2485	580	930	405	344	1293	1431	1207	1345	770	920	761	150	36x20	850
550M180-MZR/U	M180	2870	680	1025	450	349	1406	1550	1322	1479	824	1200	880	180	45x25	850
650M200-MZR/U	M200	3323	758	1200	505	455	1645	1853	1554	1755	918	1340	1055	200	45x25	1200
750M240-MZR/U	M240	3678	850	1500	600	415	1918	2258	1850	2062	1000	1600	1180	240	56x32	1650
850M240-MZR/U	M240	3780	900	1500	600	415	1990	2320	2050	2090	1000	1600	1200	240	56x32	1800

Adjustable bearing components

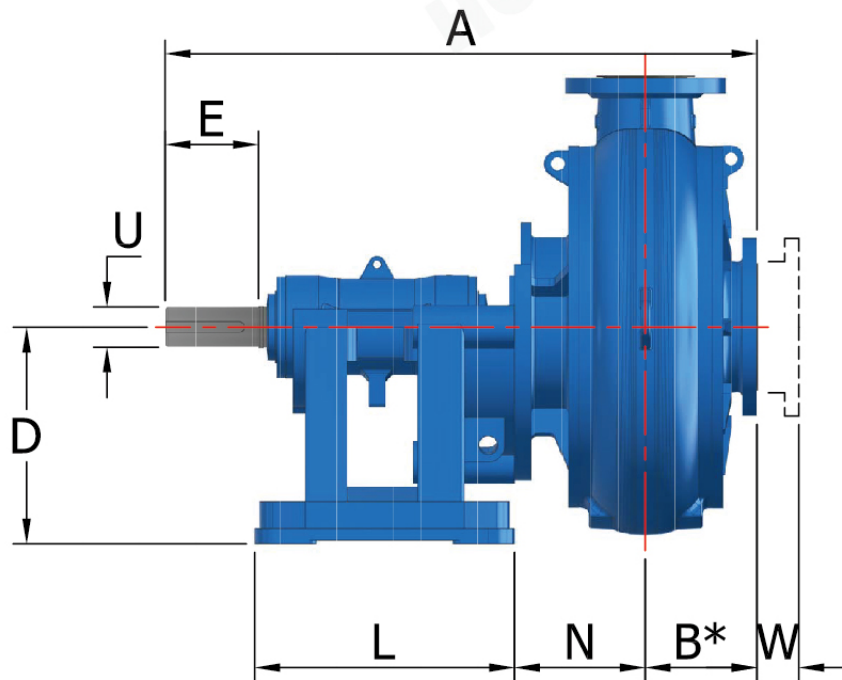
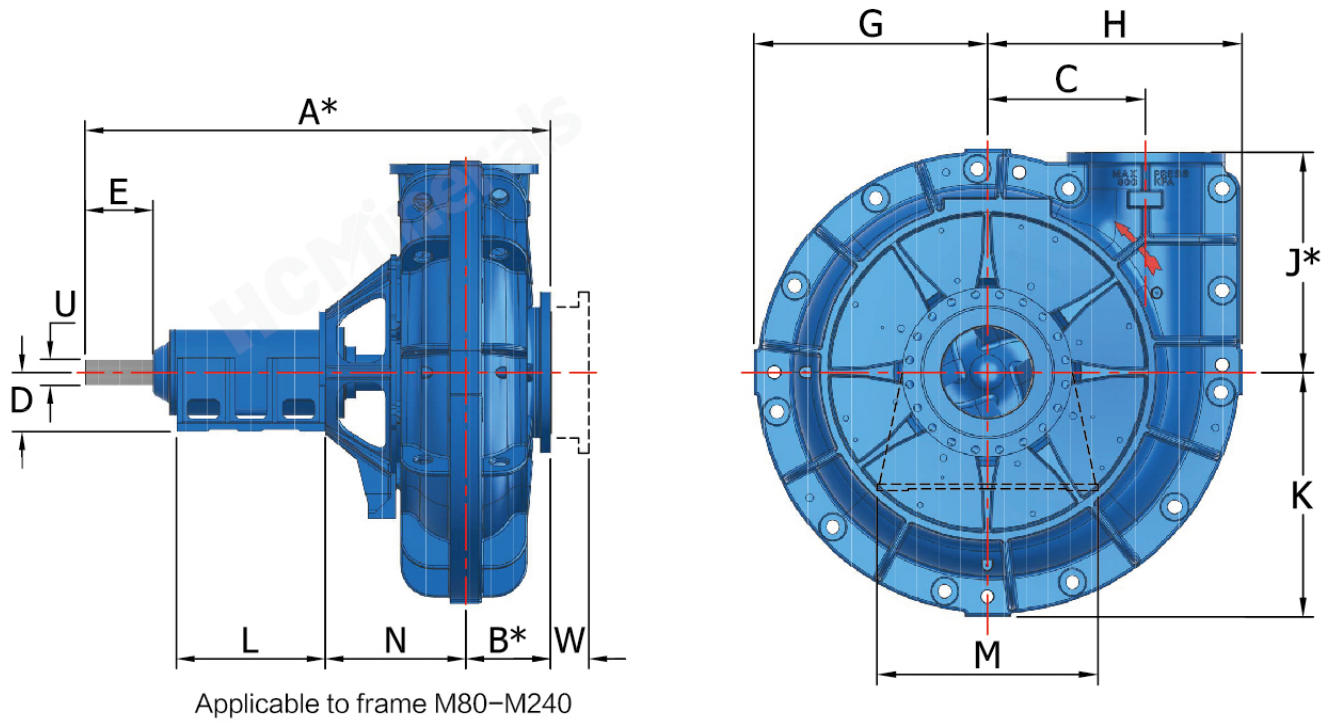
Pump Model	BA	A*	B*	C	D	E	G	H	J*	K	L	M	N	U	Key	W
125LLAM-MZH	LLAM	1200	206	240	457	222	378	412	385	3884	448	622	240	85	22X14	64
150LLAM-MZU	LLAM	1247	243	351	457	222	533	569	532	554	448	622	265	85	22X14	400
200MM-MZR/U	MM	1670	335	485	610	290	725	752	745	740	705	990	383	120	32X18	460
250MM-MZR/U	MM	1742	390	560	610	290	824	868	850	847	705	990	399	120	32X18	350
300NNAM-MZR/U	NNAM	2010	381	629	851	357	940	1020	879	980	876	1219	393	150	36X20	870
350TV-MZR/U	TV	2262	404	697	900	350	1030	1123	970	1077	1050	1460	502	150	36X20	390
400TV-MZR/U	TV	2412	510	801	900	350	1148	1281	1156	1199	1050	1460	520	150	36X20	450
450TV-MZR/U	TV	2468	580	930	900	350	1293	1431	1207	1345	1050	1460	520	150	36X20	850
550V-MZR/U	V	3180	680	1025	900	455	1406	1550	1322	1479	1375	1440	610	240	56X32	850
650V-MZR/U	V	3343	758	1200	900	455	1645	1853	1554	1755	1375	1440	709	240	56X32	1200

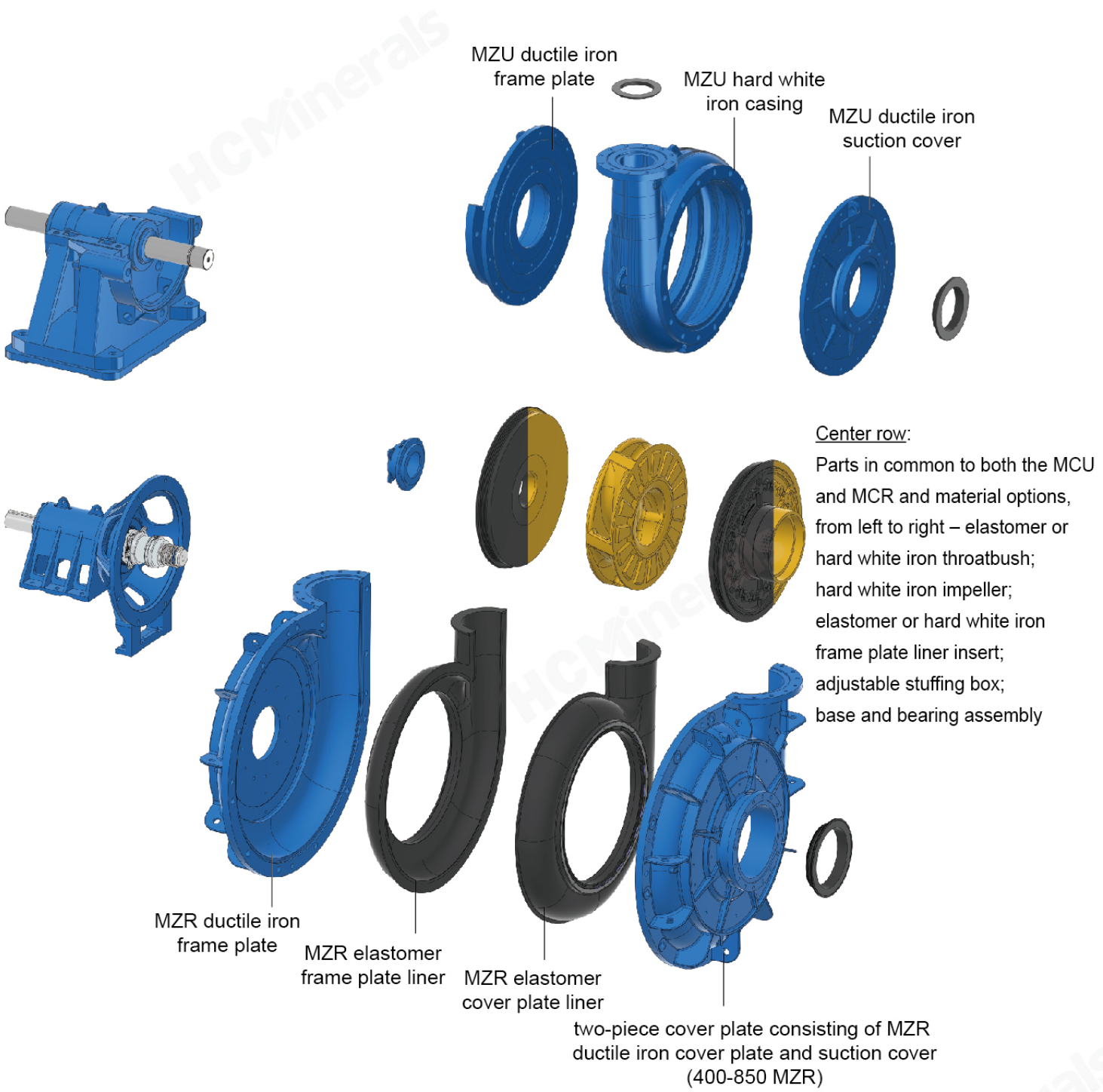
*Including compression of rubber flange joints.

Please refer to the external dimension diagram for the size and location of the installation holes. The size is for reference only.

Note: If using the "left vertical" pump direction, the pump body size is symmetrical around the vertical centerline.

MZ Outline Dimension

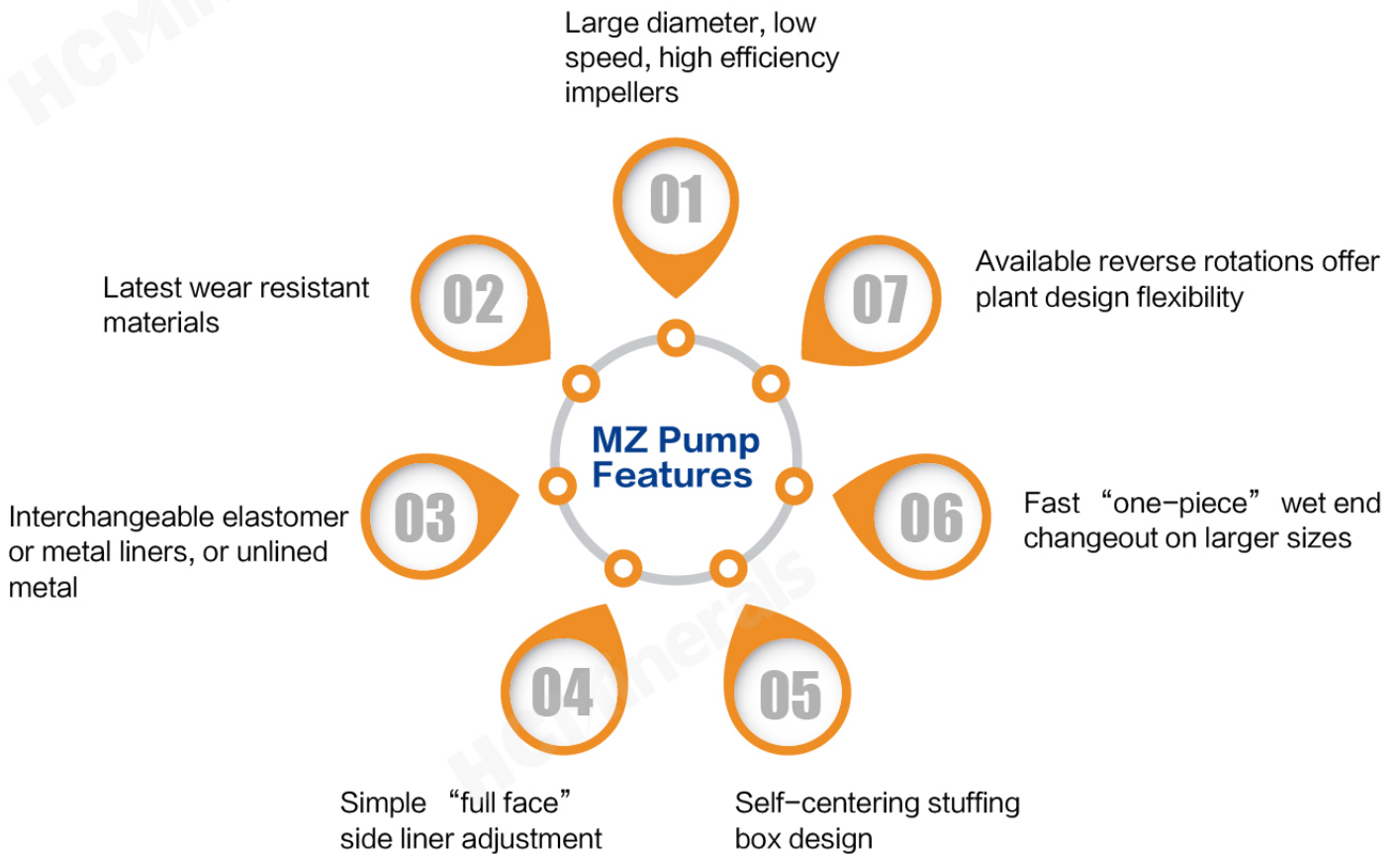




MZ Series Explosion Diagram

MZ Series Pumps Overview

MZ (U, R, H) series products are cantilever type heavy duty slurry pumps specially developed for conveying mineral materials handled by mills, especially suitable for large particles and heavy abrasive materials working conditions. It is widely used in metallurgy and mining projects. The product has significant economic value as a bottom flow pump for conveying slurry in two-phase flow.



Mz Pumps In Different Material Combinations

MCR Pump

Elastomer liners inside ductile iron outer casing with metal impeller and metal Or elastomer throatbush and frame plate liner insert

MCU Pump

All metal unlined hard white iron casing with metal impeller, throatbush and Frame plate liner insert

MCM Pump

Hard white iron metal liners inside ductile iron outer casing with metal impeller, Throat bush and frame plate liner inser