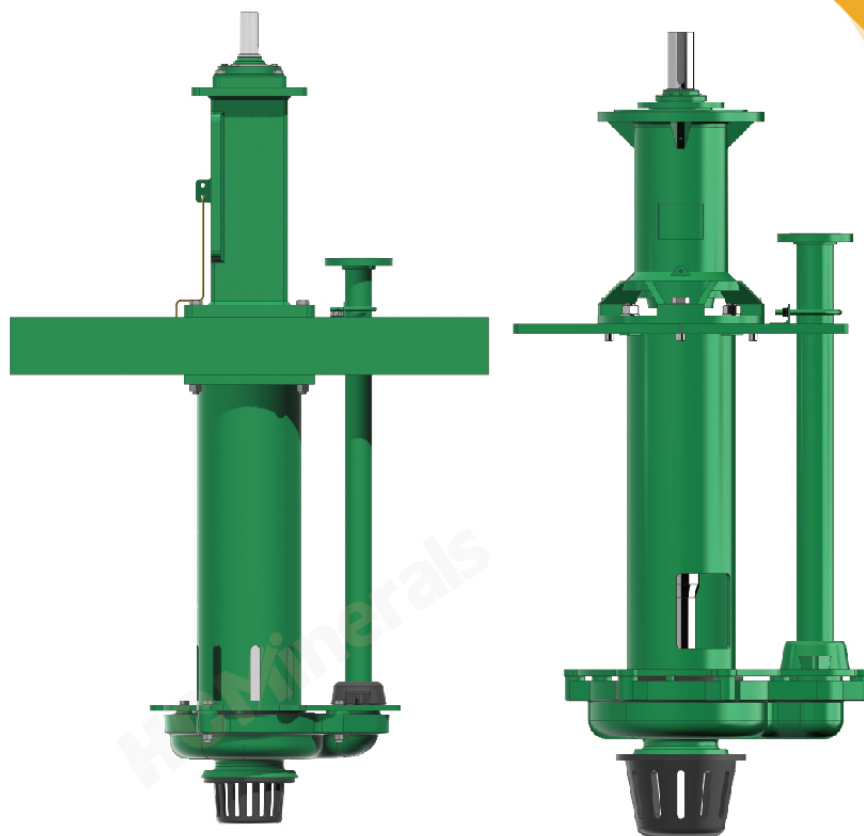


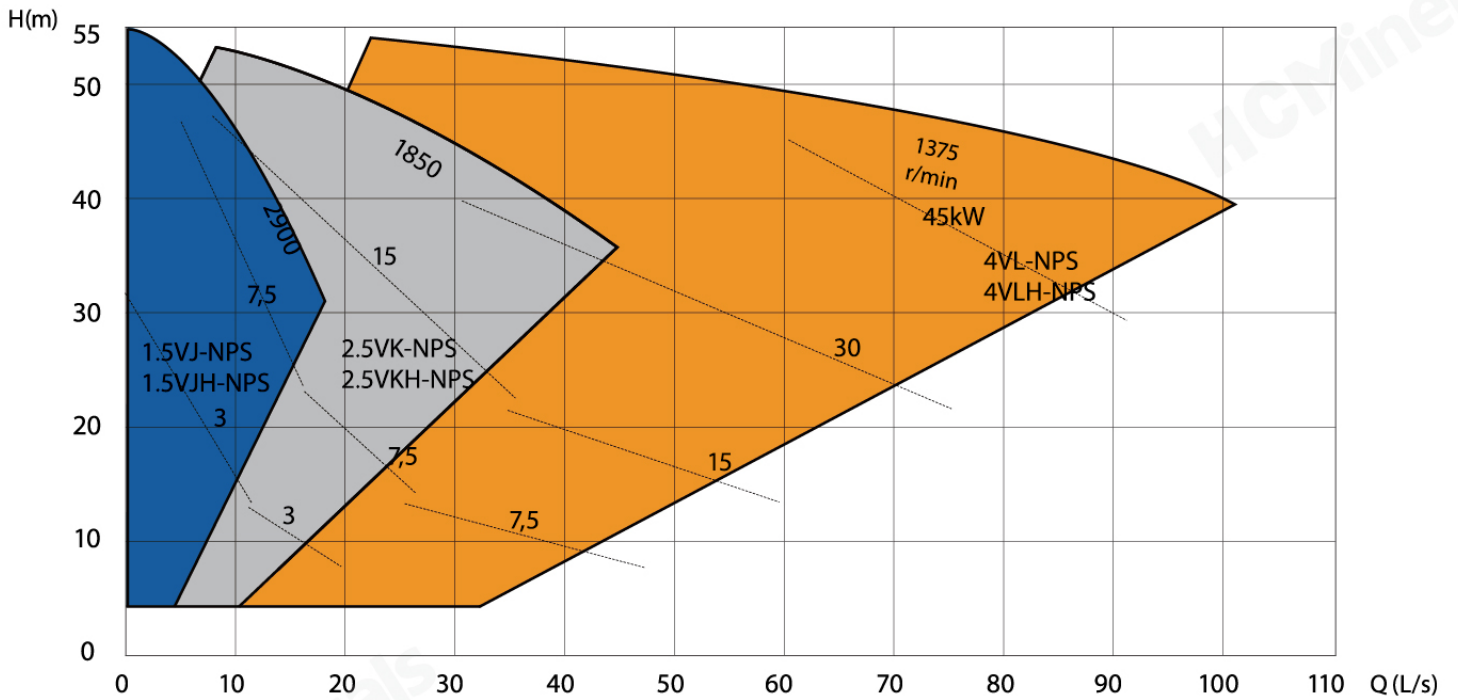
HCMinerals



NPS Vertical Pump

HCMinerals

NPS Pump Selection Chart

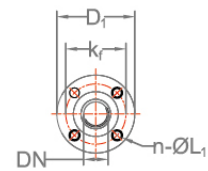
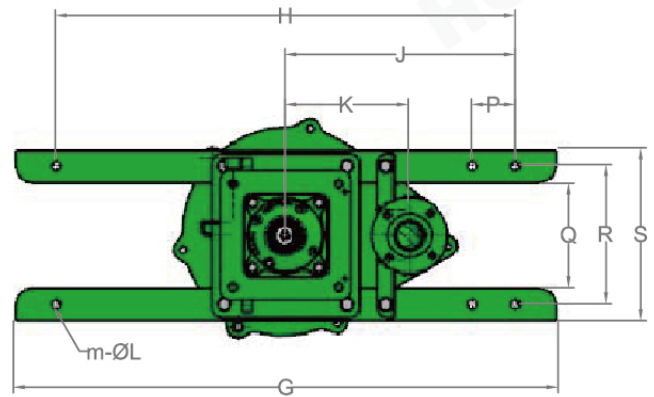
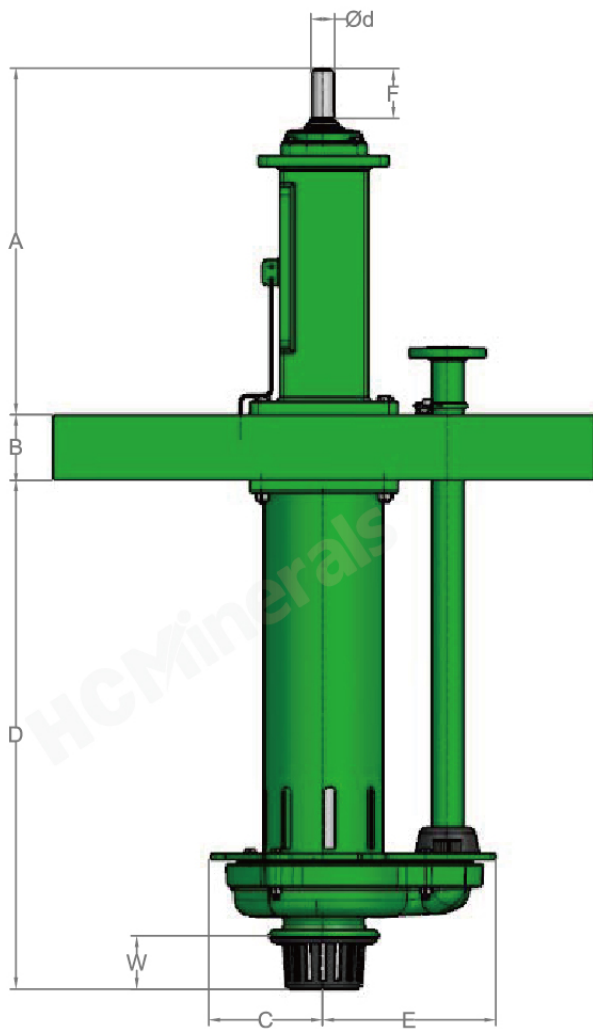


NPS Technical Parameters

Pump Model	Base	Flow Range (m³/hr)	Head Range (m)	Speed (r/min)	Sump Pump D (mm)	Outlet Diameter (mm)	Import Diameter (mm)	Impeller Diameter (mm)	Vanes (Pieces)	Weight (Kg)	Outer Maximal Dimension (mm)
1.5-NPS	VJ	10-40	10-50	1200-2800	900, 1200 1500	40	80	188	5	192	2335*1250*335
	VJH									203	
1.5-NPSR	VJ	17-39	3-24	1000-2200	900, 1200 1500	40	80	188	5	179	2335*1250*335
	VJH									190	
2.5-NPS	VK	20-100	10-60	700-2300	900, 1200 1500, 1800	65	120	280	5	395	2747*1250*350
	VKH									427	
2.5-NPSR	VK	20-100	5.5-30	700-1500	900, 1200 1500, 1800	65	120	280	5	351	2747*1250*350
	VKH									383	
4-NPS	VL	50-300	10-42	600-1400	1200, 1500 1800, 2100	100	175	370	5	694	3248*1280*440
	VLH									742	
4-MSPR	YV	64-285	7-38	600-1200	1200, 1500 1800, 2100	100	175	370	5	772	3248*1280*440

Chrome/Rubber/Poly for material options

NPS Outline Dimension

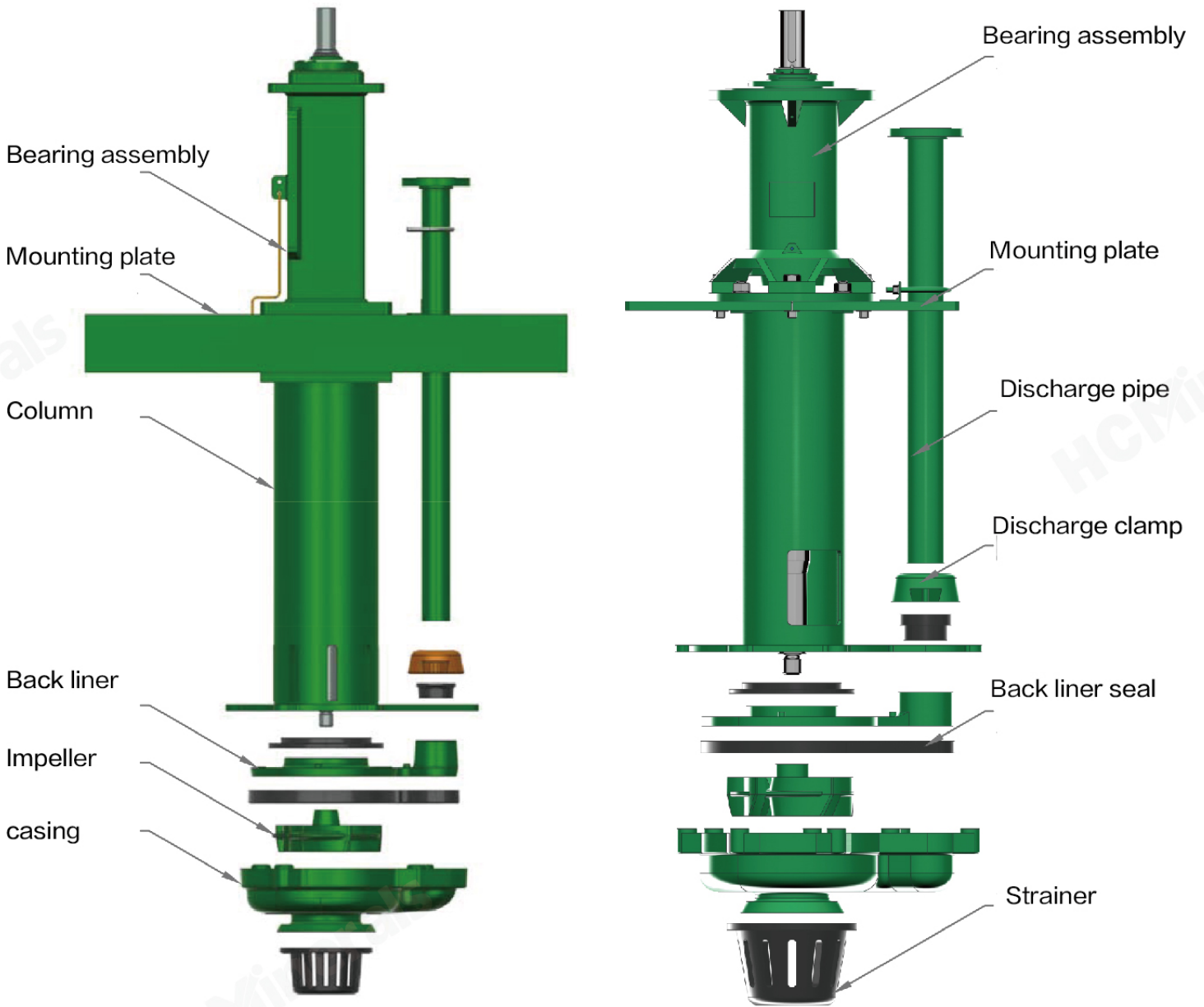


Flange size

Pump	Flange size				
	DN	D_1	k_r	n	ØL_1
1.5VJ-NPS	40	127	98	4	16
1.5VJH-NPS					
2.5VK-NPS	63	185	145	4	18
2.5VKH-NPS					
4VL-NPS	100	229	191	8	19
4VLH-NPS					

NPS Outline Dimension

Pump	Pump size																	
	A	B	C	D	E	Ød	F	G	H	J	K	P	Q	R	S	W	m	ØL
1.5VJ-NPS	685	150	184	900/1200/1500	286	40	110	1250	1060	530	205	100	205	270	335	110	6	22
1.5VJH-NPS																		
2.5VK-NPS	797	150	260	900/1200/1500/1800	396	50	110	1250	1060	530	285	100	245	350	490	130	6	26
2.5VKH-NPS																		
4VL-NPS	998	150	352	1200/1500/1800/2100	565	80	220	1280	1200	600	400	100	290	360	440	205	6	25
4VLH-NPS																		



NPS Explosion Diagram

Applications



Usage of versatile wear-resistant and corrosion-resistant materials allows NPS Series slurry pumps to service in various industries, help to reduce operation cost and down time. Applicable especially in areas such as cleanup, ash removal, FGD, coal washing and etc.

Mineral processing

NPS pumps are applicable in severe working conditions for its seal free structure, high chrome hard metal and rubbers are optional depending on media to be handled, NPS are the best choice for the cleanup pump of all kinds of the waste gathering pit.

Coal washing

In the process of coal washing, NPS Series slurry pumps are widely used in media feeding and cleanup applications.

Flue Gas Desulphurization (FGD)

Usage of wear-resistant and corrosion-resistant metal and rubber, which are specially developed for the corrosive slurries containing chloride ion, allows the wide applications of the NPS Series slurry pumps in this area as pit pump in filtrate, gas suction and solution proportioning applications.

Building Material

Usage of versatile wear-resistant and corrosion resistant metal and rubber, allows the NPS Series slurry pumps' wide applications in transporting abrasive and corrosive slurries.



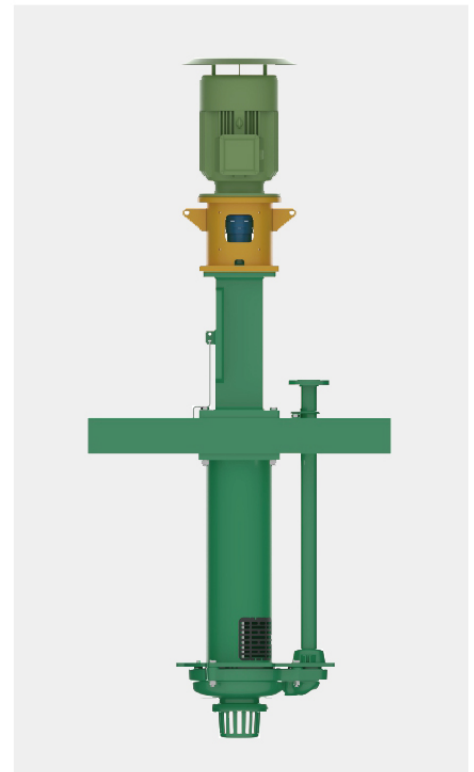
Motor Installation Type



Motor shaft upwards



Motor shaft downwards



Direct connection